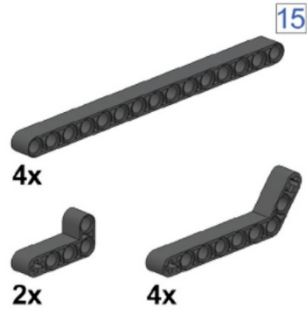


1x

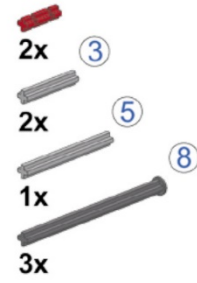


4x

2x

4x

15



2x

2x

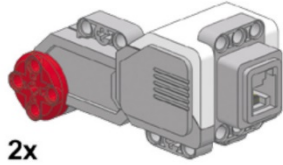
1x

3x

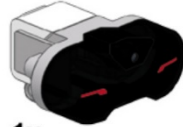
3

5

8



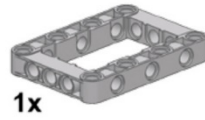
2x



1x

Medium / 35 cm

Short / 25 cm



1x



1x

2x

1x



1x



2x



2x

2x



3x

7x

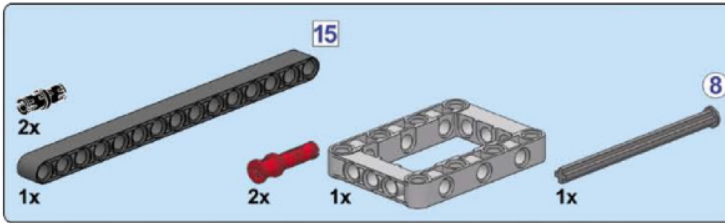
2x



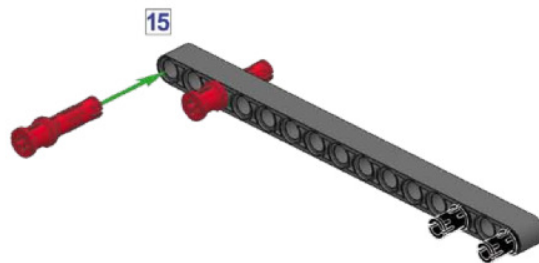
18x

2x

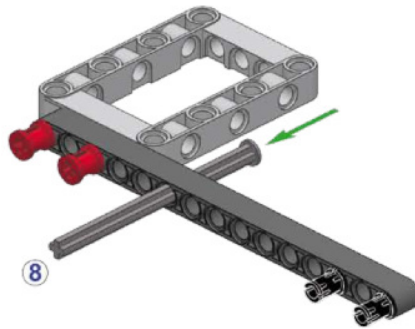
10x

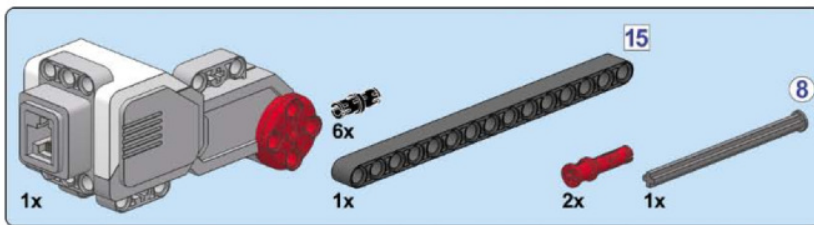


1

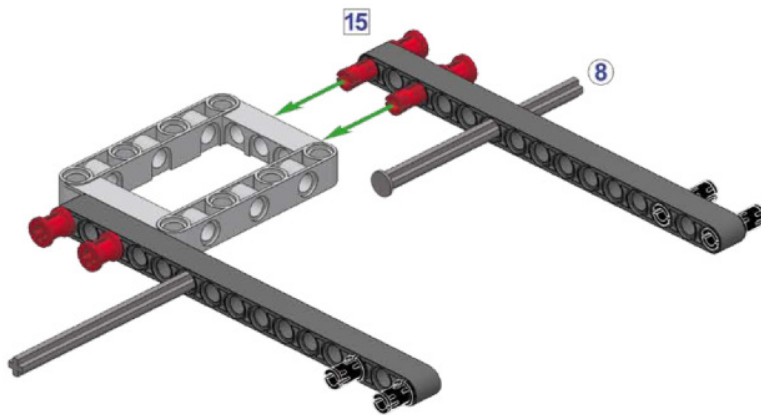


2

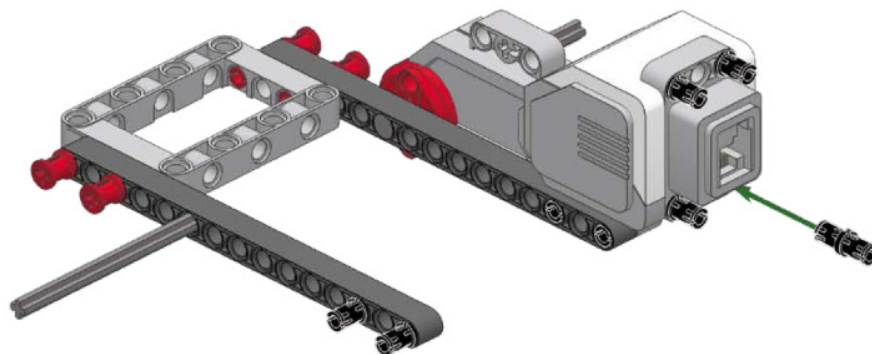


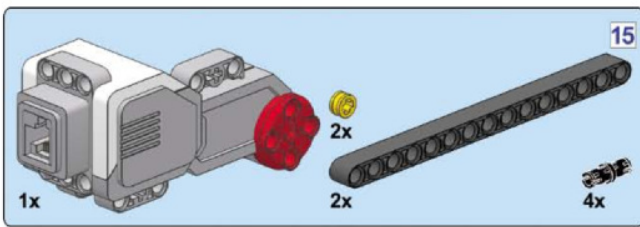


3

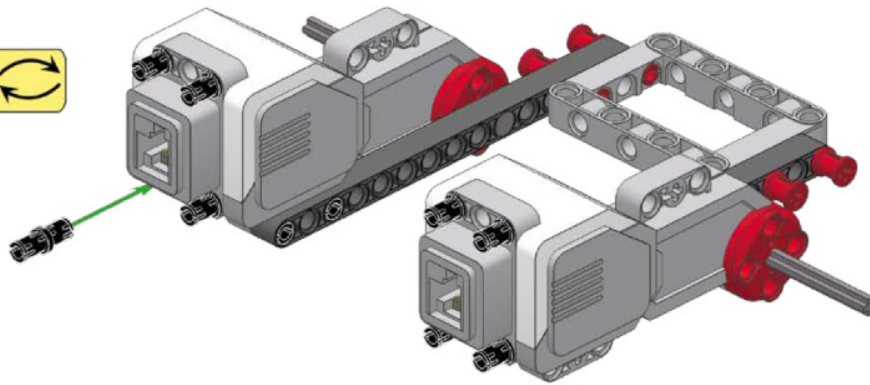


4

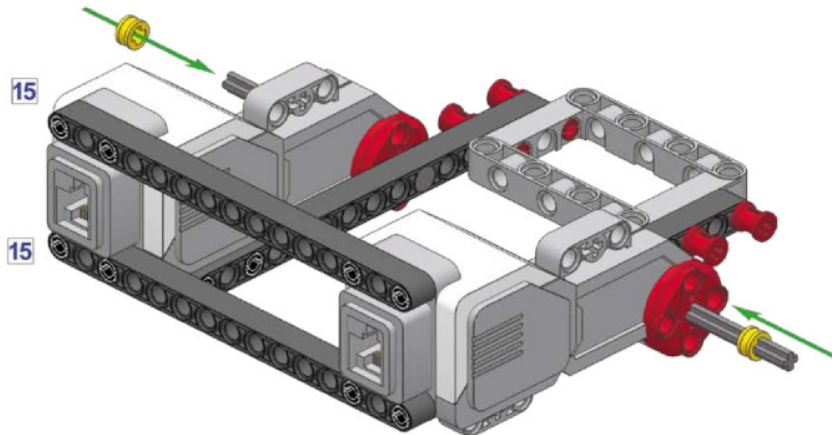


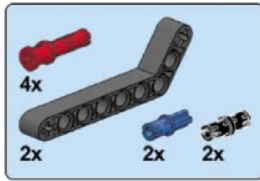


5

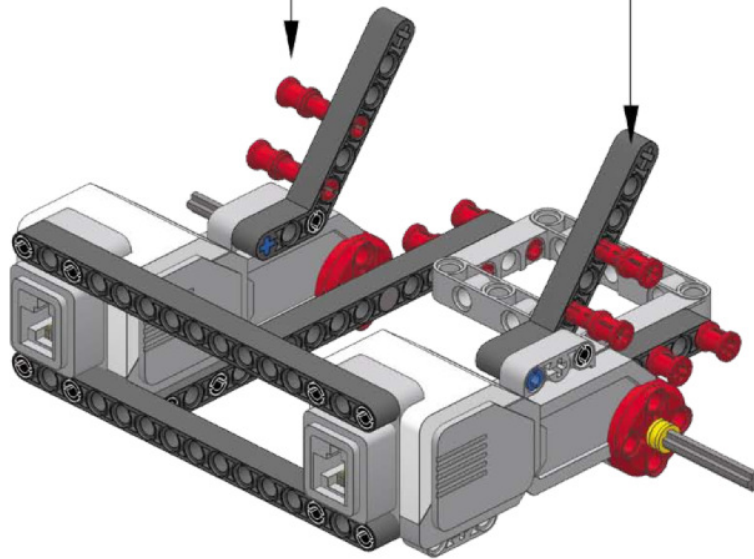
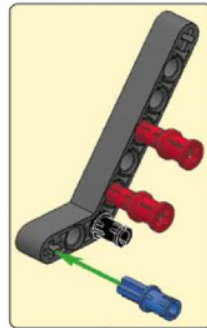
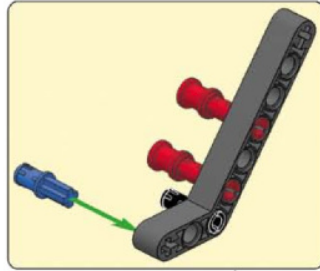


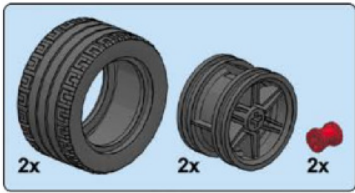
6



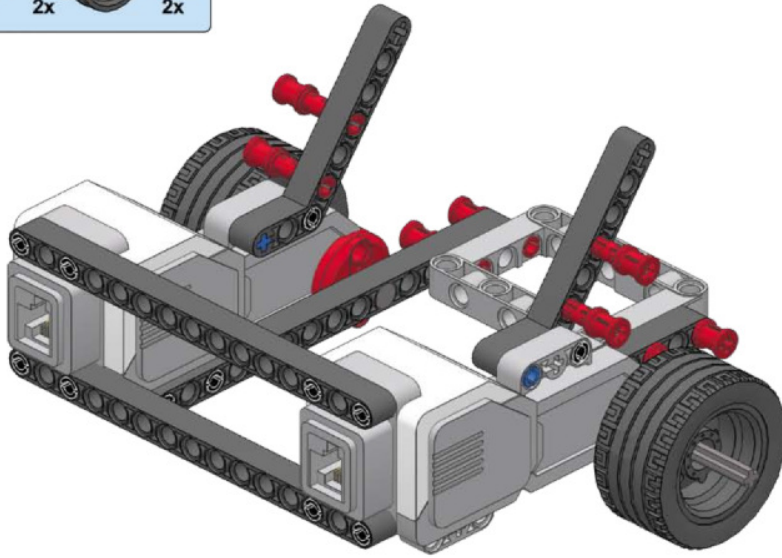


7

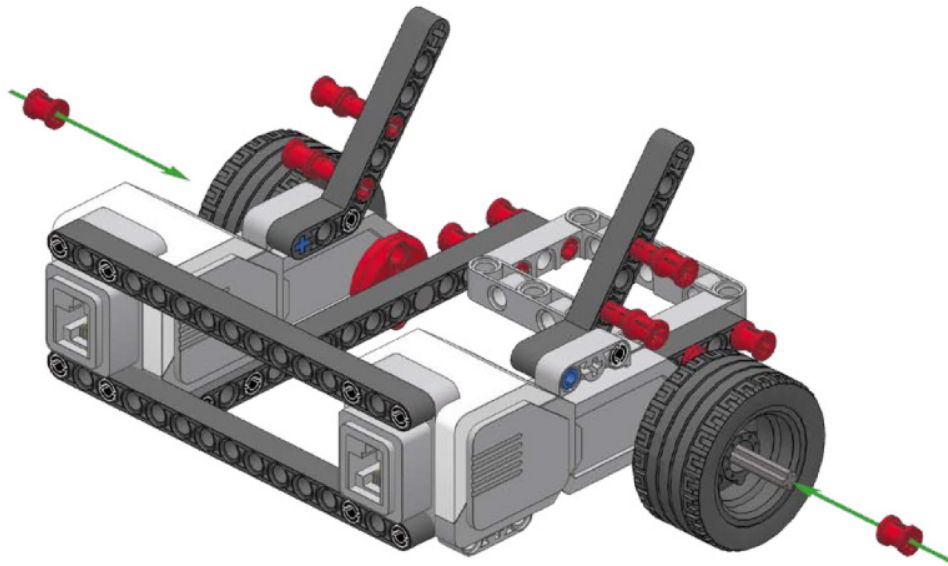


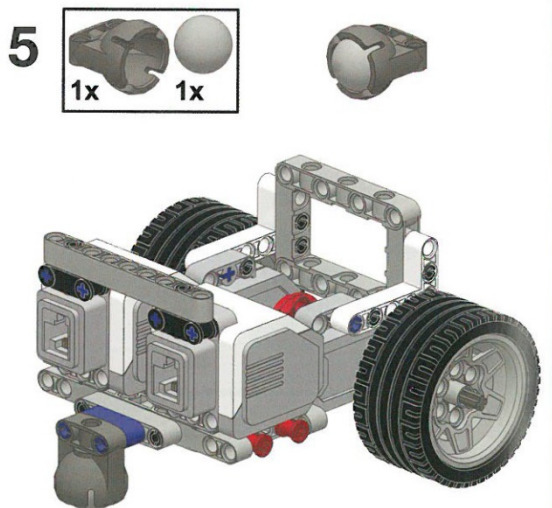
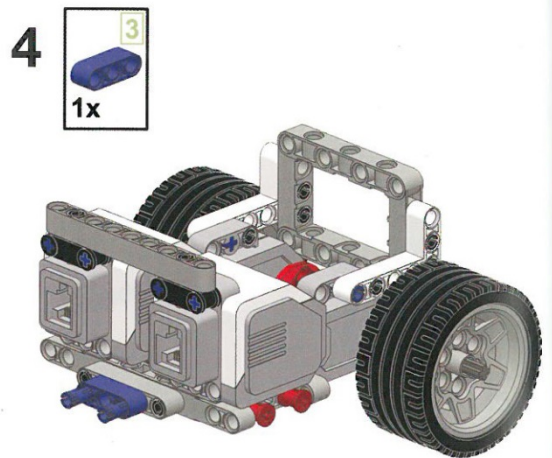
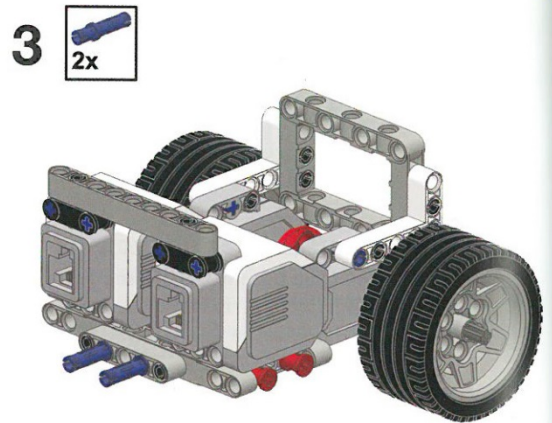
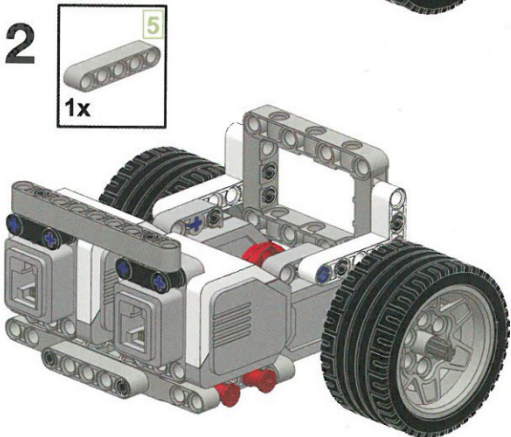
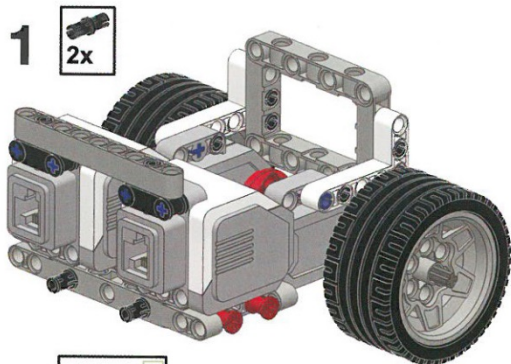


8



9



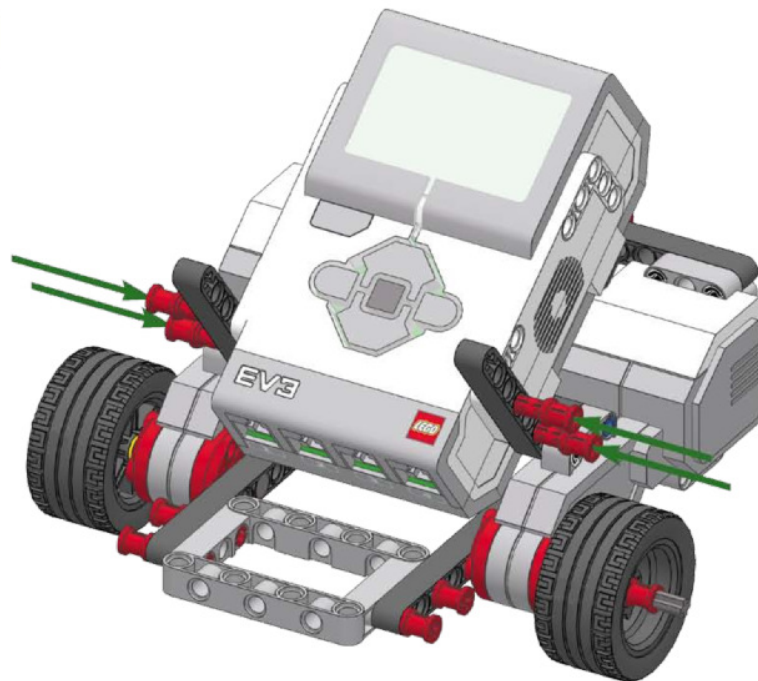


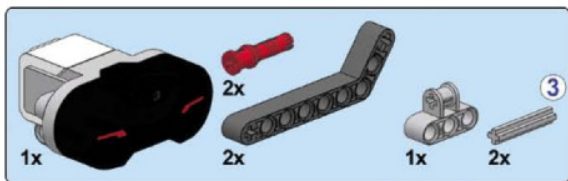
This is from another guide, but the concept is the same. Add the caster ball for the 3<sup>rd</sup> wheel.



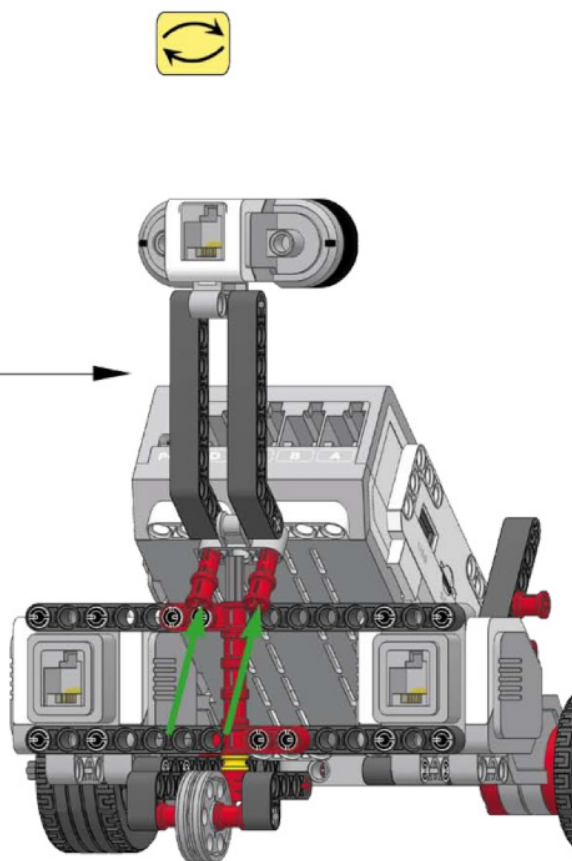
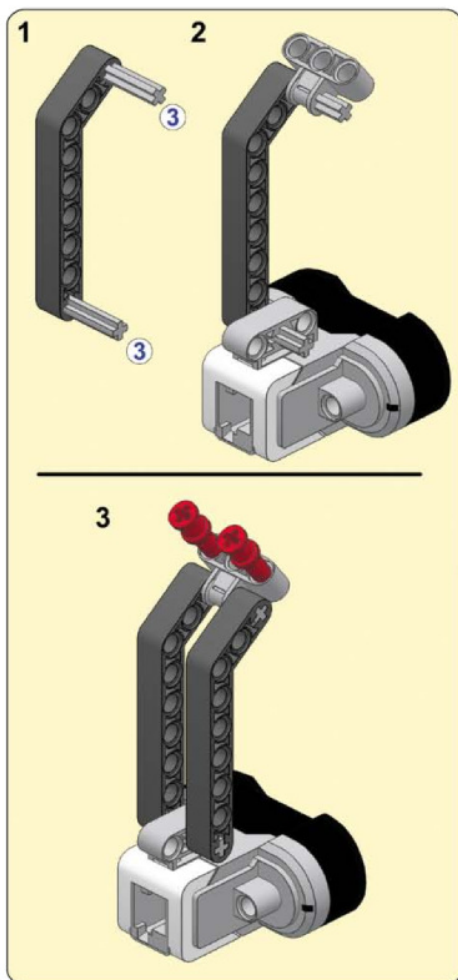
10

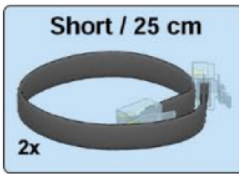
11



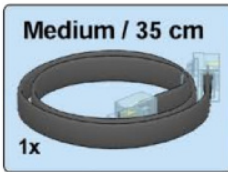
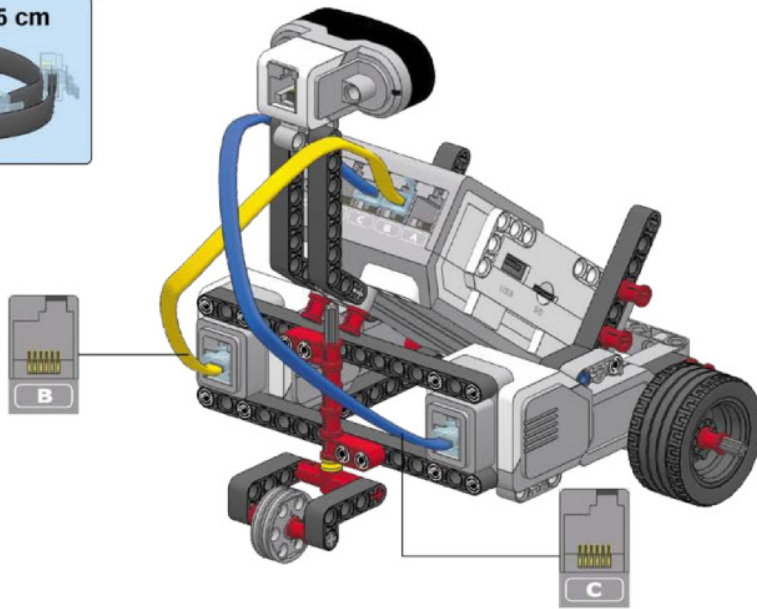


12

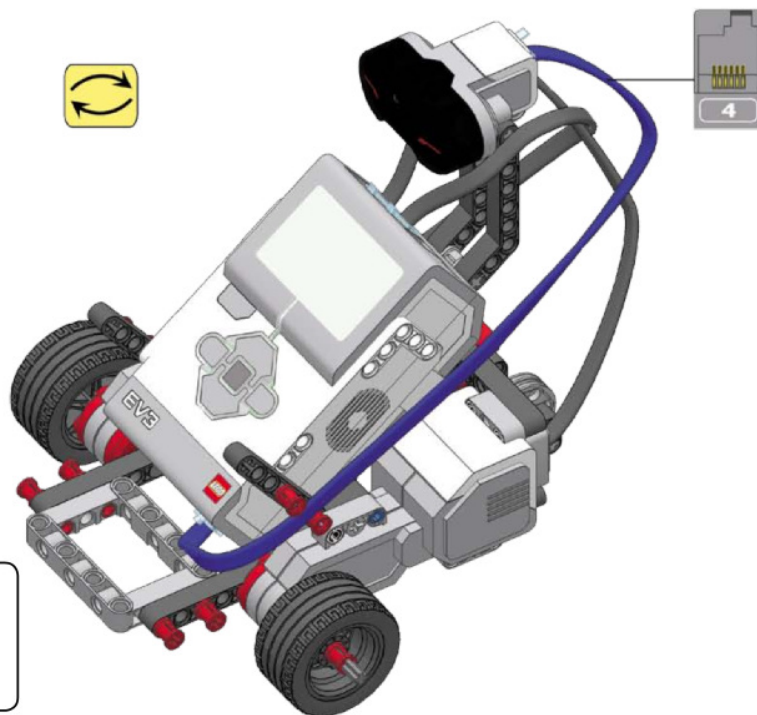




13



14



Connect the cables as shown. (The cables aren't actually colored, of course, but the colors help you see how to connect each cable.)